

DHI-VTO4202FB-P-S3

2-wire IP Modular Apartment Door Station



- Anodized aluminum front panel.
- CMOS low illumination 2MP HD colorful 168.6° camera.
- Video intercom function.
- Provides 12 VDC, 600 mA power.
- Mobile phone app, talk to the visitor or unlock the door remotely on your phone.
- IK07 & IP65 rated (silicone sealant is required for the shell, see the quick start guide).
- Support surface and flush mount.
- Support H.265 and H.264.
- Standard PoE power supply (if the VTO device with 12 V power output needs to charge the load, it should be connected to a PSE switch that complies with the 802.3.at standard).

Technical Specification

System

| | |
|------------------|--|
| Main Processor | Embedded Processor |
| Operating System | Embedded Linux Operation System |
| Interoperability | CGI; ONVIF |
| Network Protocol | UDP; TCP; IPv4; DNS; RTSP; UPnP; SIP; P2P; RTP |

Basic

| | |
|--------------------|--|
| Camera | 1/2.9" 2 MP CMOS |
| Field of View | H: 168.6°; V: 87.1°; D: 176.7° |
| WDR | 120 dB |
| Noise Reduction | 3D NR |
| Video Compression | H.265; H.264 |
| Video Resolution | Main stream: 720p; WVGA; D1; CIF Sub stream: 1080p; WVGA; D1; QVGA; CIF |
| Video Frame Rate | 25 fps |
| Video Bit Rate | 256 Kbps to 8 Mbps |
| Light Compensation | Auto IR |
| Day/Night | Auto(ICR)/Color/B/W; Color/B/W |
| Audio Compression | G.711a; G.711u; PCM |
| Audio Input | 1 channel |
| Audio Output | Built-in speaker |
| Audio Mode | Two-way audio |
| Audio Enhancement | Echo suppression/digital noise reduction |
| Audio Bit Rate | 16 KHz, 16 Bit |



Function

| | |
|--------------------|---|
| Communication Mode | Digital 2-wire |
| Unlock Mode | Remote |
| Leave Videos | Yes (SD card is inserted in the indoor monitor or door station) |
| Storage | Supports Micro SD card (up to 256 GB) |
| Web Configuration | Yes |

Performance

| | |
|-----------------|----------|
| Casing Material | Aluminum |
|-----------------|----------|

Capacity

| | |
|---------------|------|
| Card Capacity | 3000 |
|---------------|------|

Port

| | |
|-----------------------|--|
| RS-485 | 1 |
| Alarm Output | 1 |
| Power Output | 1 port, 12 V/600 mA |
| Exit Button | 1 |
| Door Status Detection | 1 |
| Lock Control | 1 |
| Network Port | 1 × RJ-45 port, 10/100 Mbps network port |

Alarm

| | |
|--------------|-----|
| Tamper Alarm | Yes |
|--------------|-----|

General

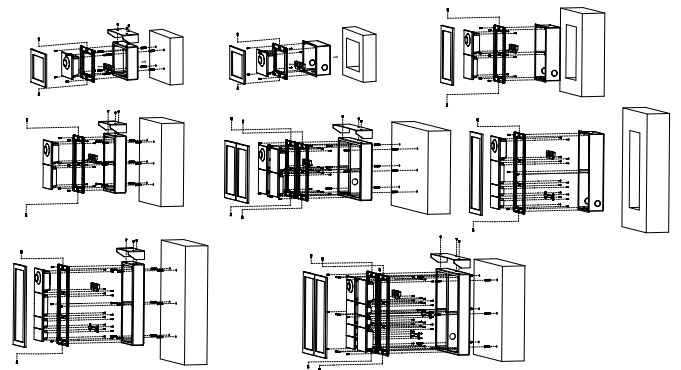
| | |
|-----------------------|---|
| Appearance Color | Black |
| Power Supply | Dahua 2-wire switch (max. power supply distance is 50 m) 48 VDC, 1 A; PoE (802.3af/at) |
| Power Adapter | Optional |
| Installation | Flush Mount; Surface Mount |
| Certifications | CE |
| Accessory | Surface mount box (optional); flush mount box (optional); rain cover (optional) |
| Product Dimensions | 100.0 mm × 100.0 mm × 49.4 mm (3.94" × 3.94" × 1.94") |
| Protection | IK07; IP65 |
| Operating Temperature | -30°C to +60°C (-22°F to +140°F) |
| Operating Humidity | 10%–90% (RH), non-condensing |
| Operating Environment | Outdoor |
| Operating Altitude | 0 m–3000 m (0 ft–9842.52 ft) |
| Power Consumption | ≤4 W (standby), ≤5 W (working) |
| Gross Weight | 0.43 kg (0.95 lb) |
| Storage Temperature | 0 °C to +40 °C (+32 °F to +104 °F) |
| Storage Humidity | 30%–75% (RH), non-condensing |

Ordering Information

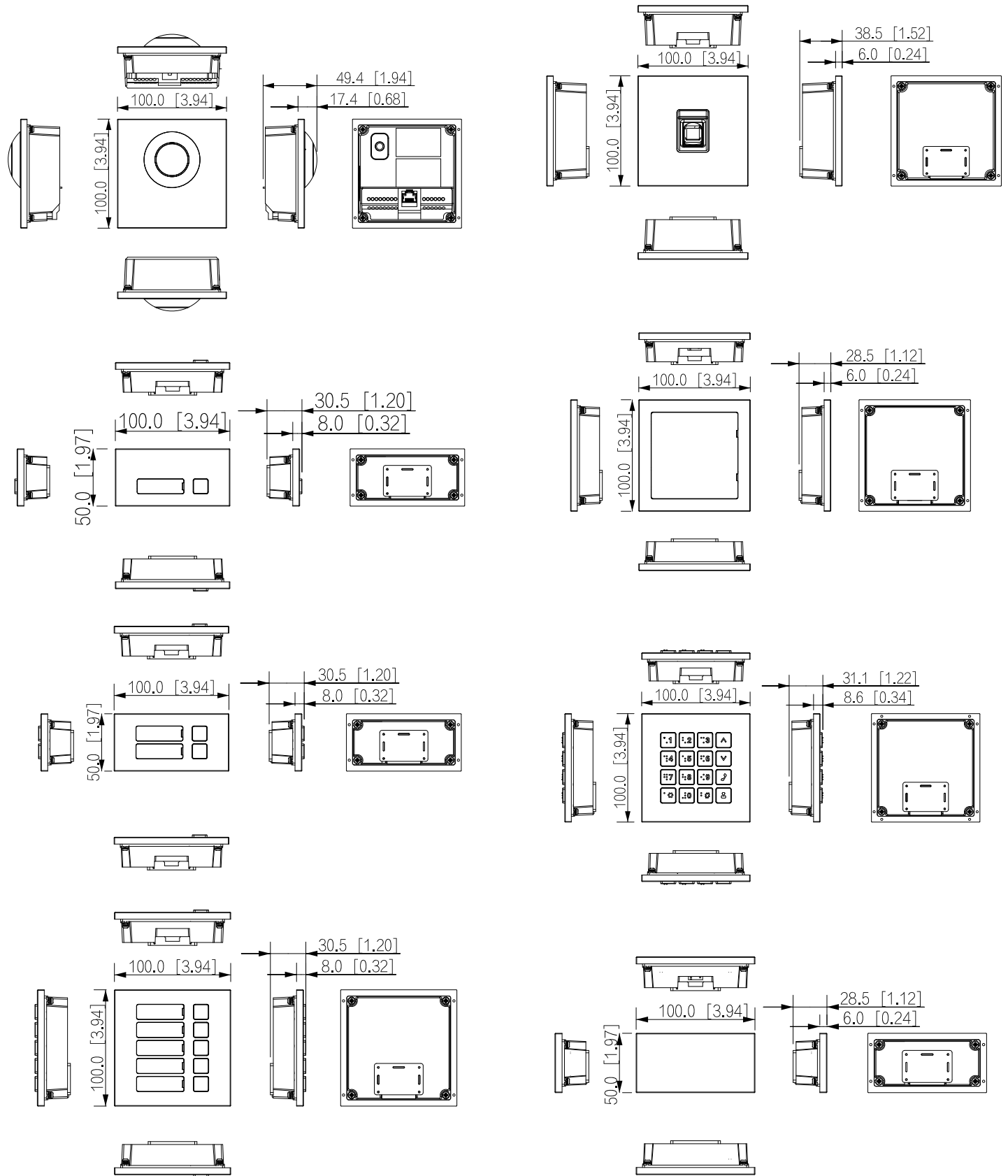
| Type | Model | Description |
|---------|--------------------|--------------------------------|
| Modules | DHI-VTO4202FB-P-S3 | Camera module(Black) |
| | DHI-VTO4202FB-MB1 | One-button module(Black) |
| | DHI-VTO4202FB-MB2 | Two-button module(Black) |
| | DHI-VTO4202FB-MB5 | Five-button module(Black) |
| | DHI-VTO4202FB-MS | Display module(Black) |
| | DHI-VTO4202FB-ML | Indicator module(Black) |
| | DHI-VTO4202FB-MK | Keyboard module(Black) |
| | DHI-VTO4202FB-MF | Fingerprint module(Black) |
| | DHI-VTO4202FB-MR | Card swiping module(IC)(Black) |
| | DHI-VTO4202FB-MR1 | Card swiping module(ID)(Black) |
| | DHI-VTO4202FB-MN | Blank Module(Black) |
| | DHI-VTO4202FB-MI | Info module(Black) |

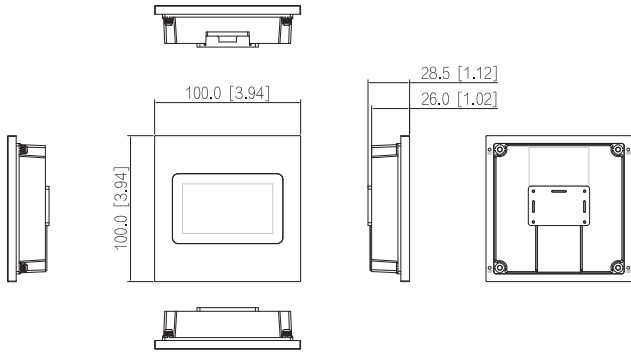
| | | |
|--------------|----------------------------------|--|
| Accessories | VTM76 | Vertical one module, surface mounted rain cover(Black) |
| | VTM26R2 | Vertical two modules, surface mounted rain cover(Black) |
| | VTM27R3 | Vertical three module, surface mounted rain cover(Black) |
| | VTM28R4 | Vertical two*2 modules in parallel, surface mounted rain cover(Black) |
| | VTM29R6 | Vertical two*3 modules in parallel, surface mounted rain cover(Black) |
| | VTM30R2 | Vertical two modules with vertical rod, the cable goes out,It has the function of receiving the cable(Black) |
| | VTM79 | Mounting box for 1 module |
| | VTM127 | Mounting box for 2 modules |
| | VTM128 | Mounting box for 3 modules |
| | VTM78 | Front panel for 1 module(Black) |
| | VTM25P2 | Front panel for 2 modules(Black) |
| VTM24P3 | Front panel for 3 modules(Black) | |
| Power Supply | DHI-VTNS2003B-2-A | 2-wire Switch |
| | DHI-VTNS1001B-2-A | 2-wire Switch |

Installation



Dimensions (mm[inch])





Application

