



Key Feature

- Standard PoE
- 2 MP HD camera
- Noise suppression and echo cancellation
- Low illumination
- Access control functions

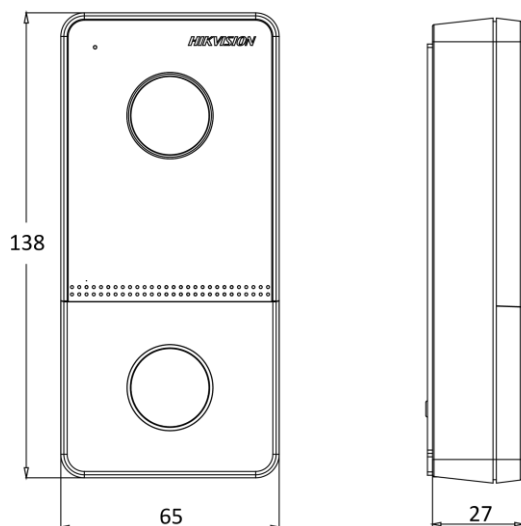
Specification

System parameters	
Operating system	Embedded Linux operation system
ROM	32M
RAM	256 M
CPU	Embedded processor
Display parameters	
Screen size	/
Operation method	/
Type	/
Resolution	/
Video parameters	
Lens	1
Resolution	Main stream: 1920 × 1080p, 720p Sub stream: 704 × 576
FOV	Horizontal: 131° Vertical: 78°
WDR	True WDR
Supplement light	IR supplement

Video compression standard	H.264
Audio parameters	
Audio compression standard	G.711 U
Audio input	Built-in omnidirectional microphone
Audio output	Built-in loudspeaker
Audio compression bitrate	64 Kbps
Audio quality	Noise suppression and echo cancellation
Volume adjustment	Adjustable
Capacity	
User capacity	2000
Face capacity	/
Card capacity	10000
Network parameters	
Communication protocol	TCP/IP, RSTP
Wired network	10/100 Mbps self-adaptive Ethernet
Wi-Fi standard	/
Bluetooth version	/
3G/4G standard	/
Device interfaces	
Alarm input	4
Network interface	1

TAMPER	1
Exit button	1
RS-485	1
USB	0
Wiegand	0
TF card	0
Alarm output	0
Lock control	1
Door contact input	1
Power interface	1

Dimension



Unit:mm

General	
Button	1
Installation	Surface mounting
Indicator	2
Weight	190g
Protective level	IP65
Working temperature	-40° C to +55° C (-40° F to 131° F)
Working humidity	10% to 95%
Dimensions	138 mm × 65 mm × 27 mm
Battery	/
Application environment	Outdoor
Power consumption	< 10 W
Language	English, French, Portuguese (Brazil), Spanish, Russian, German, Italian, Polish, Arabic, Turkish, Vietnamese, Hungarian, Dutch, Romanian, Czech, Bulgarian, Ukrainian, Croatian, Serbian

Available Model

DS-KV6113-PE1(C)

Headquarters

No.555 Qianmo Road, Binjiang District,
Hangzhou 310051, China
T +86-571-8807-5998
www.hikvision.com



Follow us on social media to get the latest product and solution information.

