



**IDIS Co., Ltd.**

For more information, please visit at  
[www.idisglobal.com](http://www.idisglobal.com)



# Network Video Recorder

Mansio Installation Manual

*DR-8564*

*DR-8564D*

Powered by **Direct IP**



# Before reading this manual

This manual contains basic instructions on installing and using DirectIP Network Video Recorder, an IDIS product. Users who are using this product for the first time, as well as users with experience using comparable products, must read this manual carefully before use and heed to the warnings and precautions contained herein while using the product. Safety warnings and precautions contained in this manual are intended to promote proper use of the product and thereby prevent accidents and property damage and must be followed at all times.

Once you have read this manual, keep it at an easily accessible location for future reference.

- The manufacturer will not be held responsible for any product damage resulting from the use of unauthorized parts and accessories or from the user's failure to comply with the instructions contained in this manual.
- It is recommended that first-time users of DirectIP Network Video Recorder and individuals who are not familiar with its use seek technical assistance from their retailer regarding product installation and use.
- If you need to disassemble the product for functionality expansion or repair purposes, you must contact your retailer and seek professional assistance.
- Both retailers and users should be aware that this product has been certified as being electromagnetically compatible for commercial use. If you have sold or purchased this product unintentionally, please replace with a consumer version.

## Safety Precautions




	<b>CAUTION</b> RISK OF ELECTRIC SHOCK DO NOT OPEN	
<b>CAUTION:</b> TO REDUCE THE RISK OF ELECTRIC SHOCK, DO NOT REMOVE COVER (OR BACK). NO USER-SERVICEABLE PARTS INSIDE. REFER SERVICING TO QUALIFIED SERVICE PERSONNEL.		



The lightning flash with arrowhead symbol, within an equilateral triangle, is intended to alert the user to the presence of uninsulated "dangerous voltage" within the product's enclosure that may be of sufficient magnitude to constitute a risk of electric shock.



The exclamation point within an equilateral triangle is intended to alert the user to the presence of important operating and maintenance (servicing) instructions in the literature accompanying the appliance.

Symbol	Publication	Description
	IEC60417-5032	Alternating current
	IEC60417-6042	Caution – Shock hazard
	IEC60417-6172	Disconnect all power sources

**WARNING**  
Hazardous moving parts  
Keep away from moving fan blades

**AVERTISSEMENT**  
Pièces mobiles dangereuses  
Se tenir éloigné des pales de ventilateurs mobiles

## Important Safeguards

### 1. Read Instructions

All the safety and operating instructions should be read before the appliance is operated.

**2. Retain Instructions** The safety and operating instructions should be retained for future reference.

**3. Cleaning** Unplug this equipment from the wall outlet before cleaning it. Do not use liquid aerosol cleaners. Use a damp soft cloth for cleaning.

### 4. Attachments

Never add any attachments and/or equipment without the approval of the manufacturer as such additions may result in the risk of fire, electric shock or other personal injury.

**5. Water and/or Moisture** Do not use this equipment near water or in contact with water.

### 6. Ventilation

Place this equipment only in an upright position. This equipment has an open-frame Switching Mode Power Supply (SMPS), which can cause a fire or electric shock if anything is inserted through the ventilation holes on the side of the equipment.

### 7. Accessories

Do not place this equipment on an unstable cart, stand or table. The equipment may fall, causing serious injury to a child or adult, and serious damage to the equipment. Wall or shelf mounting should follow the manufacturer's instructions, and should use a mounting kit approved by the manufacturer.



This equipment and cart combination should be moved with care. Quick stops, excessive force, and uneven surfaces may cause the equipment and cart combination to overturn.

### 8. Power Sources

This equipment should be operated only from the type of power source indicated on the marking label. If you are not sure of the type of power, please consult your equipment dealer or local power company. You may want to install a UPS (Uninterruptible Power Supply) system for safe operation in order to prevent damage caused by an unexpected power stoppage. Any questions concerning UPS, consult your UPS retailer.

This equipment should be remain readily operable.

### 9. Power Cords

Operator or installer must remove power and TNT connections before handling the equipment.

### 10. Lightning

For added protection for this equipment during a lightning storm, or when it is left unattended and unused for long periods of time, unplug it from the wall outlet and disconnect the antenna or cable system. This will prevent damage to the equipment due to lightning and power-line surges.

### 11. Overloading

Do not overload wall outlets and extension cords as this can result in the risk of fire or electric shock.

### 12. Objects and Liquids

Never push objects of any kind through openings of this equipment as they may touch dangerous voltage points or short out parts that could result in a fire or electric shock. Never spill liquid of any kind on the equipment.

**13. Servicing** Do not attempt to service this equipment yourself. Refer all servicing to qualified service personnel.

### 14. Damage requiring Service

Unplug this equipment from the wall outlet and refer servicing to qualified service personnel under the following conditions:

- A. When the power-supply cord or the plug has been damaged.
- B. If liquid is spilled, or objects have fallen into the equipment.

C. If the equipment has been exposed to rain or water.

instructions, adjust only those controls that are covered by the operating instructions as an improper adjustment of other controls may result in damage and will often require extensive work by a qualified technician to restore the equipment to its normal operation.

E. If the equipment has been dropped, or the cabinet damaged.

F. When the equipment exhibits a distinct change in performance ☒ this indicates a need for service.

### 15. Replacement Parts

When replacement parts are required, be sure the service technician has used replacement parts specified by the manufacturer or that have the same characteristics as the original part. Unauthorized substitutions may result in fire, electric shock or other hazards.

### 16. Safety Check

Upon completion of any service or repairs to this equipment, ask the service technician to perform safety checks to determine that the equipment is in proper operating condition.

### 17. Field Installation

This installation should be made by a qualified service person and should conform to all local codes.

### 18. Correct Batteries

Leaving a BATTERY in an extremely high temperature surrounding environment that can result in an EXPLOSION or the leakage of flammable liquid or gas. A BATTERY subjected to extremely low air pressure that may result in an explosion or the leakage of flammable liquid or gas.

Laisser une BATTERIE dans un environnement extrêmement chaud peut entraîner une EXPLOSION ou une fuite de liquide ou de gaz inflammable. Une BATTERIE soumise à une pression d'air extrêmement faible peut également entraîner une explosion ou une fuite de liquide ou de gaz inflammable.

**19. Tmra** A manufacturer's maximum recommended ambient temperature (Tmra) for the equipment must be specified so that the customer and installer may determine a suitable maximum operating environment for the equipment.

### 20. Elevated Operating Ambient Temperature

If installed in a closed or multi-unit rack assembly, the operating ambient temperature of the rack environment may be greater than room ambient. Therefore, consideration should be given to installing the equipment in an environment compatible with the manufacturer's maximum rated ambient temperature (Tmra).

### 21. Reduced Air Flow

Installation of the equipment in the rack should be such that the amount of airflow required for safe operation of the equipment is not compromised.

**22. Mechanical Loading** Mounting of the equipment in the rack should be such that a hazardous condition is not caused by uneven mechanical loading.

### 23. Circuit Overloading

Consideration should be given to connection of the equipment to supply circuit and the effect that overloading of circuits might have on over current protection and supply wiring. Appropriate consideration of equipment nameplate ratings should be used when addressing this concern.

### 24. Reliable Earthing (Grounding)

Reliable grounding of rack mounted equipment should be maintained. Particular attention should be given to supply connections other than direct connections to the branch circuit (e.g., use of power strips).

### 25. Children

This equipment is not suitable for use in locations where children are likely to be present.



Cet équipement ne convient pas à une utilisation dans des lieux pouvant accueillir des enfants.

### 26. Grounding

The equipment protective earthing conductor should be connected to the installation protective earthing conductor.

Le fil de mise à la terre de protection de l'équipement doit être connecté au fil de mise à la terre de protection de l'installation.

## In-Text

Symbol	Type	Description
	<b>Caution</b>	Important information concerning a specific function.
	<b>Note</b>	Useful information concerning a specific function.

## User's Caution Statement

**Caution:** Any changes or modifications to the equipment not expressly approved by the party responsible for compliance could void your authority to operate the equipment.

## FCC Compliance Statement

THIS EQUIPMENT HAS BEEN TESTED AND FOUND TO COMPLY WITH THE LIMITS FOR A CLASS A DIGITAL DEVICE, PURSUANT TO PART 15 OF THE FCC RULES. THESE LIMITS ARE DESIGNED TO PROVIDE REASONABLE PROTECTION AGAINST HARMFUL INTERFERENCE WHEN THE EQUIPMENT IS OPERATED IN A COMMERCIAL ENVIRONMENT. THIS EQUIPMENT GENERATES, USES, AND CAN RADIATE RADIO FREQUENCY ENERGY AND IF NOT INSTALLED AND USED IN ACCORDANCE WITH THE INSTRUCTION MANUAL, MAY CAUSE HARMFUL INTERFERENCE TO RADIO COMMUNICATIONS. OPERATION OF THIS EQUIPMENT IN A RESIDENTIAL AREA IS LIKELY TO CAUSE HARMFUL INTERFERENCE, IN WHICH CASE USERS WILL BE REQUIRED TO CORRECT THE INTERFERENCE AT THEIR OWN EXPENSE.

**WARNING:** CHANGES OR MODIFICATIONS NOT EXPRESSLY APPROVED BY THE PARTY RESPONSIBLE FOR COMPLIANCE COULD VOID THE USER'S AUTHORITY TO OPERATE THE EQUIPMENT.

THIS CLASS OF DIGITAL APPARATUS MEETS ALL REQUIREMENTS OF THE CANADIAN INTERFERENCE CAUSING EQUIPMENT REGULATIONS.

## WEEE (Waste Electrical & Electronic Equipment)

### Correct Disposal of This Product

*(Applicable in the European Union and other European countries with separate collection systems)*



This marking shown on the product or its literature, indicates that it should not be disposed with other household wastes at the end of its working life. To prevent possible harm to the environment or human health from uncontrolled waste disposal, please separate this from other types of wastes and recycle it responsibly to promote the sustainable reuse of material resources.

Household users should contact either the retailer where they purchased this product, or their local government office, for details of where and how they can take this item for environmentally safe recycling.

Business users should contact their supplier and check the terms and conditions of the purchase contract. This product should not be mixed with other commercial wastes for disposal.

## Copyright

© 2022 IDIS Co., Ltd.

IDIS Co., Ltd. reserves all rights concerning this manual.

Use or duplication of this manual in part or whole without the prior consent of IDIS Co., Ltd. is strictly prohibited.

Contents of this manual are subject to change without prior notice.

## Registered Trademarks

IDIS is a registered trademark of IDIS Co., Ltd.

Other company and product names are registered trademarks of their respective owners.

# Mans.io

The information in this manual is believed to be accurate as of the date of publication even though explanations of some functions may not be included. We are not responsible for any problems resulting from the use thereof. The information contained herein is subject to change without notice. Revisions or new editions to this publication may be issued to incorporate such changes.

The software included in this product contains some Open Sources. You may obtain the corresponding source code which we have to distribute according to the license policy. Go to System Setup - About page for more information. This product includes software developed by the University of California, Berkeley and its contributors, and software developed by the OpenSSL Project for use in the OpenSSL Toolkit (<http://www.openssl.org/>). Also, this product includes cryptographic software written by Eric Young ([eay@cryptsoft.com](mailto:eay@cryptsoft.com)), and software written by Tim Hudson ([tjh@cryptsoft.com](mailto:tjh@cryptsoft.com)).

Covered by one or more claims of the patents listed at [patentlist.accessadvance.com](http://patentlist.accessadvance.com).

# Table of Contents

---

## 1

### **Part 1 – Introduction..... 7**

Product Features .....	7
Accessories.....	9
Overview .....	10
Front Panel.....	10
Dimensions .....	13
Rear Panel .....	14
Rear Panel Connections .....	16

## 2

### **Part 2 - Appendix..... 20**

Supported SFP Transceiver Module List .....	20
System Log Types .....	21
Error Code Types .....	22
Troubleshooting .....	25
Specifications .....	26

Mans.io



# Part 1 – Introduction

---

## Product Features

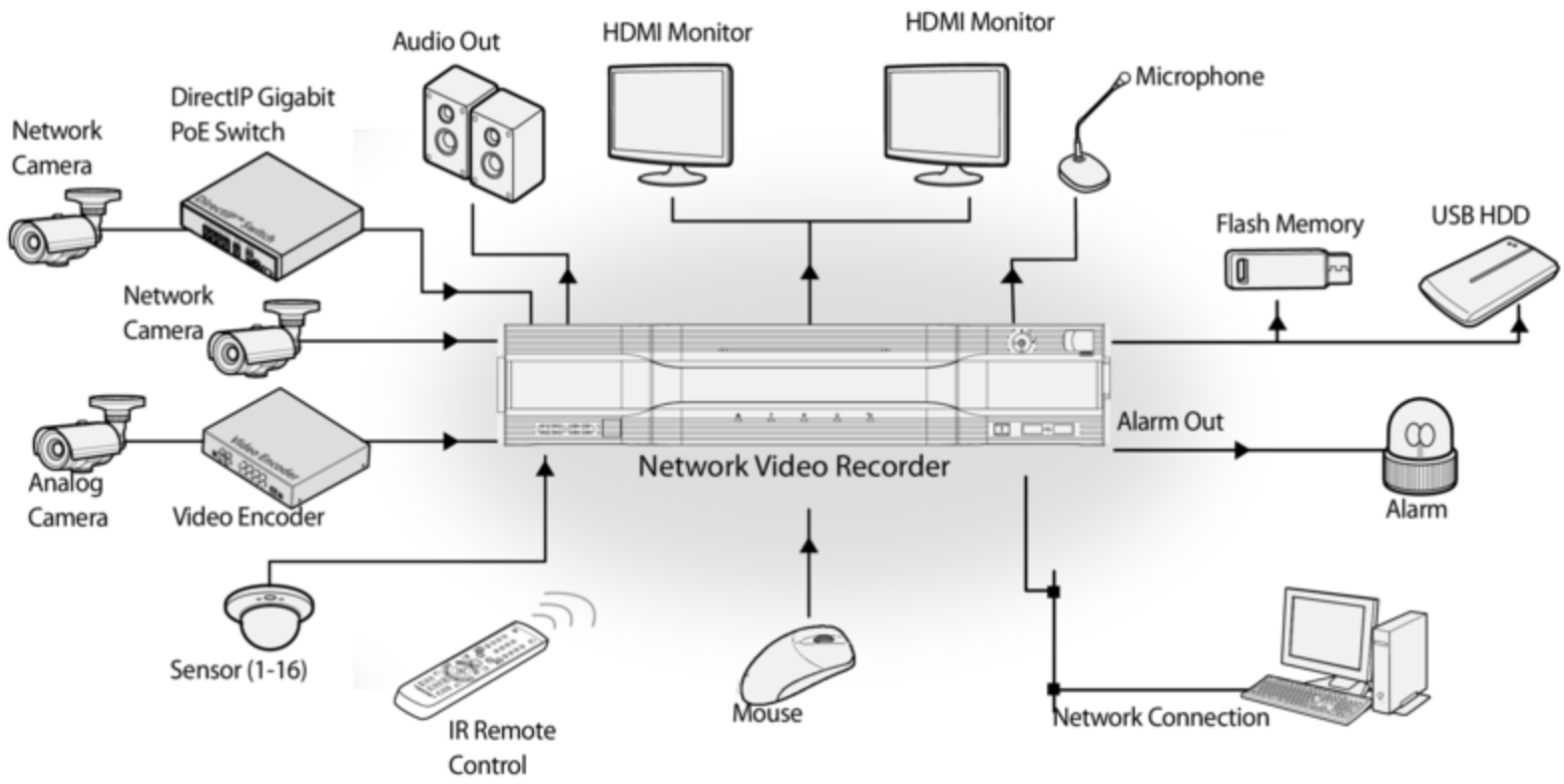
This is a DirectIP-enabled video recorder that supports surveillance, recording, and playback of video from network cameras (or video encoders).

This NVR (Network Video Recorder) unit offers the following features:

- Real-time 64 channel DirectIP network surveillance
- Network camera zero configuration
- Configuration-free network camera access
- UHD resolution support
- H.265 support codec
- Supports up to Full HD 1920ips video recording
- HDMI out 2 ports
- Fast and easy search feature (Time-Lapse, Event log, Motion, Text-In)
- Simultaneously survey, record, play back, and transmit data in real-time
- Graphic User Interface(GUI) and multilingual
- Multiple recording modes (Schedule, Event, Pre-Event, and Panic)
- 2 USB 2.0 port, 1 USB 3.0 port (for connecting peripherals, upgrading software, and saving recording data)
- Records the data efficiently (RAID 1,5,10)
- Two-way audio communication
- Network camera audio recording and 1-channel audio playback
- 4 alarm in, 1 alarm out, and 1 alarm reset
- IR remote control-enabled
- Self-diagnosis and automated system event alerts (industry standard S.M.A.R.T. protocol for HDD status alerts)
- Exports setup, system log and clip-copy files on network

Mans.io



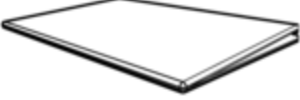






# Mans.io

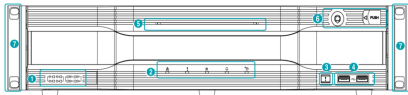
## Accessories

Upon unpackaging the product, check the contents inside to ensure that all the following accessories are included.

		
<p>Network Video Recorder</p>	<p>Power Cable</p>	<p>Quick Guide</p>
		
<p>Optical USB Mouse</p>	<p>IR Remote Control (Optional)</p>	

## Overview

### Front Panel



① <b>SATA LED</b>	② <b>Status LEDs</b>	③ <b>Panic Recording Button</b>	④ <b>USB Ports</b>
⑤ <b>Power LED</b>	⑥ <b>Front Door Lock</b>	⑦ <b>Rack Mount Ears</b>	

- Some buttons have more than one function.
- Remote control sensor is located on the left side of the front panel. Ensure that the sensor remains unobstructed at all times. If obstructed, the sensor might not be able to receive remote control signals.
- Placing a Wi-Fi, Bluetooth, or any other wireless communication device near the NVR may interfere with remote control signal transmission.
- Access various windows and menus using a USB mouse as you would on a personal computer.
- For easier system configuration, a USB mouse is recommended.

#### ① SATA LED

These LEDs indicate the status of HDD and RAID mode.

LED	Color	HDD Status
On	Green	SATA HDD Connection
Blinking	Green	Data Transmission
On	Red	RAID Broken
Blinking	Red	RAID Rebuilding
On	Green / Red	HDD / RAID Error
Off	-	No SATA HDD

#### ② Status LEDs

- Network LED:** Flashes when the main unit is linked to an ethernet.
- Panic LED:** Flashes in red when Panic Recording is in progress.
- R LED:** Lights up in red when RAID mode is operating normally.
- Alarm LED:** Lights up in red when an alarm event occurs.
- eSATA LED:** Lights up when the main unit is connected to an eSATA device.

#### ③ Panic Recording Button

Pressing **Panic Recording**  button displays the **!** icon and commences recording irrespective of the current schedule.

Press the button again to deactivate Panic Recording mode.

#### ④ USB Ports

##### • Storage Device Connection

Connect an external USB hard drive or a USB flash memory device to one of the USB ports for use with the Clip Copy feature. The external storage device should be placed as close to the NVR as possible. It is recommended that you use a connection cable that is no longer than 180cm in length. Use the connection cable included with your external storage device to connect the device to one of NVR's USB ports. For more information on Clip Copy, refer to the **Clip Copy in the operation manual**.

##### • Peripheral Device Connection

Use the USB ports to connect peripherals such as a USB mouse to the NVR. You can also use a USB-to-serial converter and connect multiple text-in devices to the NVR at the same time.

- For USB flash memory devices, the NVR supports the FAT32 file format only.

#### ⑤ Power LED

Lights up while the main unit is in operation.

#### ⑥ Front Door Lock

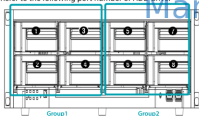
By using enclosed door-lock key, front panel can be detachable to replace the HDD. For more information on how to replace the HDD, refer to the **Specifications on page 26**.

#### ⑦ Rack Mount Ears

The ears can be used for rack mount.

#### Port Number of HDD Drive

Refer to the following port number of HDD drive.



#### HDD Installation Precautions

To reuse the HDD which was used as a RAID, low-level format the drive. Otherwise, it is recognized as a RAID error and the data of all the connected HDDs may be deleted.

Make sure to turn off the power before you add, remove or replace the HDD.

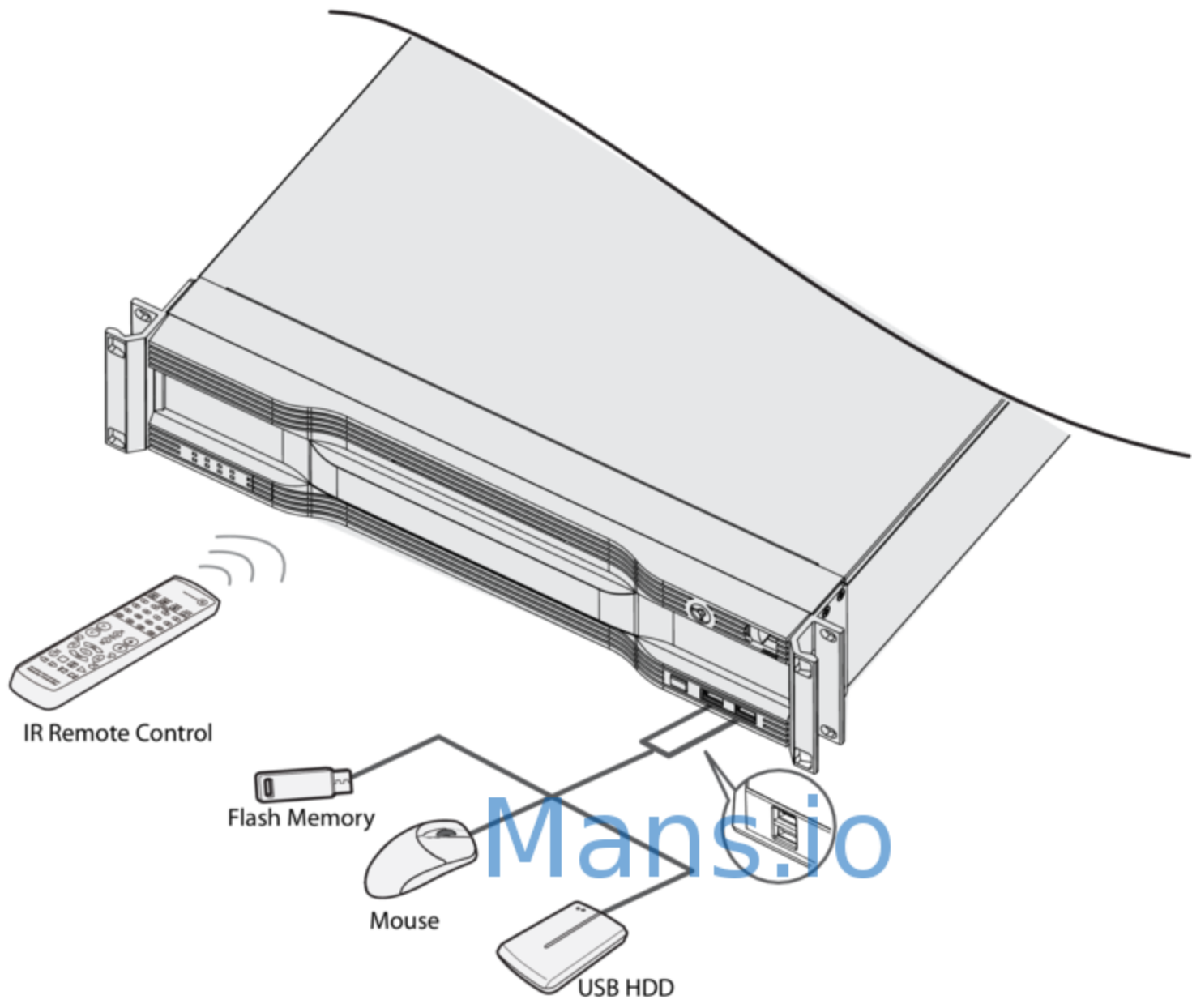
#### RAID Configuration Precautions

It is possible to configure a raid represented by odd number on consecutive disk drives. Various combinations of RAID can be configured according to the following conditions.

- **RAID 1** : Two consecutive hard drives (RAID configurations represented by disk drives 1, 3, 5 and 7).
- **RAID 5, RAID 10** : Four consecutive hard drives (RAID configurations represented by disk drives 1 and 5).

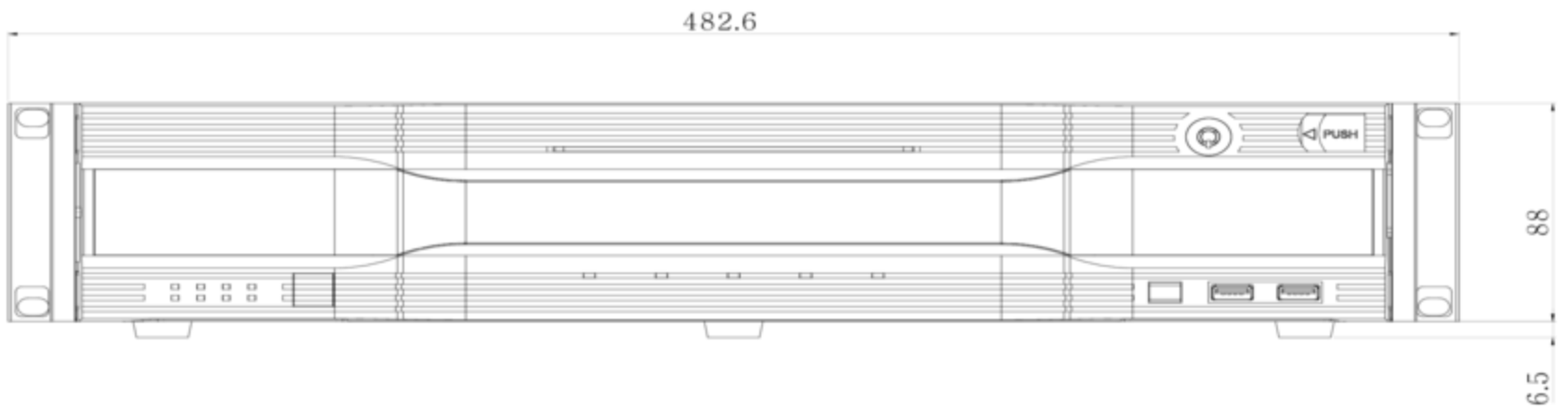
- 
- When configuring RAID, you must use HDDs with the same capacity and of the same model.
  - While RAID is rebuilding due to degradation, do not remove a HDD to configure the RAID. If you remove it, the data of all the connected HDDs may be deleted.

Connections on the Front Panel



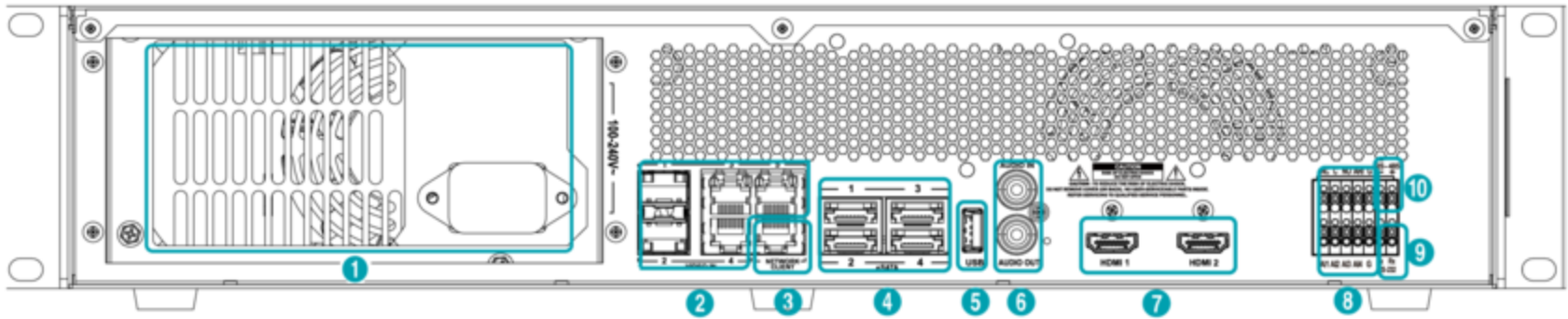
## Dimensions

Unit : mm

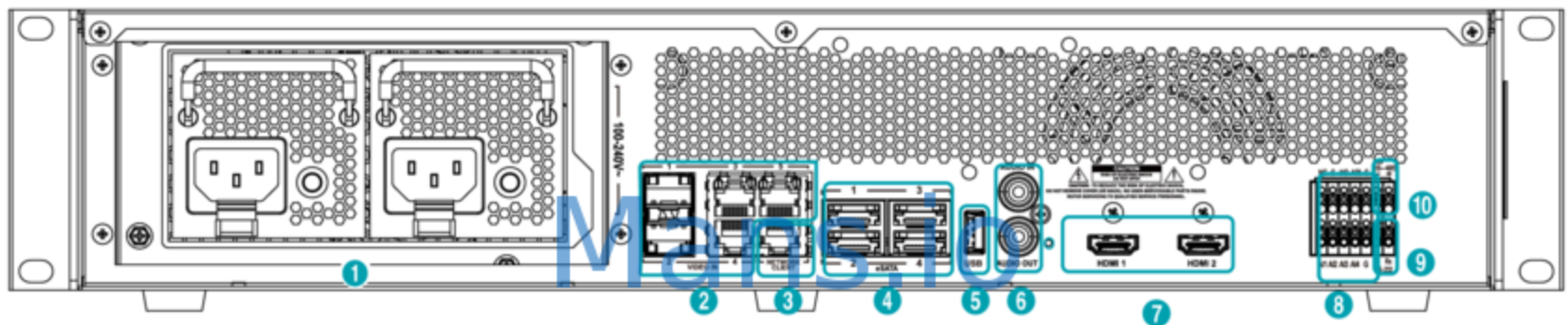


## Rear Panel

### DR-8564



### DR-8564D



①	Power In Port	②	Video In Ports - SFP (1~2) / RJ45 (3~5)	③	Network Port
④	eSATA Ports	⑤	USB 3.0 Ports	⑥	Audio Connection Ports
⑦	HDMI Out Port	⑧	Alarm Connection Ports	⑨	RS-232 Port
⑩	RS-485 Port				

#### HDMI Port Precautions

- Use a certified cable marked with an HDMI logo when using HDMI. The screen may not display or a connection error may occur if you do not use a certified HDMI cable.
- It is recommended that you use the following HDMI cable type.
  - High-speed HDMI Cable
  - High-speed HDMI Cable with Ethernet

#### Rack Installation Precautions

- End users must install the rack according to the rack installation manual.
- You must use only the screws that are provided in the rack or screws with dimensions mentioned in the rack installation manual.
- When installing this NVR in the rack, it must be installed by a skilled person or an instructed person.



The LED and Buzzer Control Rules of Redundant Power (DR-8564D)

Condition		Power Module #1		Power Module #2		Buzzer
AC Cord Included / Not Included						
Power Module #1	Power Module #2	Green LED	Red LED	Green LED	Red LED	
Mounted	Non-mounted	On	Off	Off	Blinking	On
Non-mounted	Mounted	Off	Blinking	On	Off	
Mounted		On	Off	On	Off	Off
		Off	Blink when a warning event occurs	Off	Blink when a warning event occurs	Off
		Off	On during a module failure	Off	On during a module failure	On

Mans.io

## Rear Panel Connections

### Power Cable Connection

Connect the power cable to this port. This NVR does not feature a separate power on/off button and will turn on the moment power is supplied.



- Organize the power cable so that it will not cause people to trip over or become damaged from chairs, cabinets, desks, and other objects in the vicinity. Do not run the power cable underneath a rug or carpet.
- The power cable is grounded. Do not modify the power plug even if your power outlet does not have a ground contact.
- Do not connect multiple devices to a single power outlet.



Caution – Shock hazard



Disconnect all power sources

### Video Connection

#### • SFP Video In Port

These ports are used to connect to higher devices that are some distances away via optical cables. You can connect Gigabit Fiber Media Converters (Optional: DA-MC1101) or external hubs (Optional: DH-2112PF, DH-2128PF, DH-2212PF) to form a network. The NVR recognizes DirectIP network cameras automatically.



- These ports operate in Full Duplex mode only.
- When the network is connected normally, the LED lights up. Also when data transmission over the network is in progress, the LED flashes.
- For more information on SFP modules supported by the SFP Video In Port, refer to Supported SFP Transceiver Module List on page xx.

#### • RJ45 Video In Port



Connect network cameras or video encoders to the NVR using RJ-45 cable (Cat5, Cat5e, or Cat6). In addition to cameras or video encoders, you can connect external hubs (Optional: DH-2112PF, DH-2128PF, DH-2212PF) to form a network. The NVR recognizes DirectIP network cameras automatically.

- Green LED on the right will turn on if connected to a 1000 BASE-T network. Orange LED on the left will then flash once a link has been established.
- For stable video transmission, it is recommended to connect less than 32 network cameras or video encoders to a single Video In port.

### Network Connection




This NVR is capable of connecting to networks via an ethernet connector. Connect an RJ-45 cable (Cat5, Cat5e, or Cat6) to the NVR's network port. It's possible to operate and upgrade the NVR remotely over a network. For more information on ethernet connection setup, refer to **Network Setup in the operation manual**.

- Connector directions may vary depending on the NVR model.
- Green LED on the right will begin to flash if connected a 1000 BASE-T network. Orange LED on the left will then flash once a link has been established.

## eSATA Connection

Connect external hard drives to these ports.



-  Do not connect or disconnect an eSATA device while the NVR is powered on. To connect an eSATA device, first turn off the NVR and unplug the power cable. Connect the eSATA device and then power the eSATA device first and then NVR back on. To disconnect an eSATA device, first turn off the NVR and unplug the power cable. Turn off the eSATA device and then disconnect the eSATA connection cable.

## USB Port



USB


Support Super-speed USB 3.0 (5Gbps), High-Speed USB 2.0 (480Mbps) and Full Speed USB 1.0 (12Mbps) for transfer.

## Audio Connection



Connect the audio device to the **AUDIO IN** port and speakers with a built-in amplifier to the **AUDIO OUT** port. Use the **AUDIO OUT** port to listen to audio from network cameras.

Use the **AUDIO IN** port to establish two-way communication with cameras.

-  This NVR does not feature a built-in audio amplifier unit and therefore requires the user to purchase a speaker system with a built-in amplifier separately. It's possible to connect an amplified audio source to the NVR, but microphones that do not have a built-in amplifier will not function properly if connected to the NVR directly. If this is the case, connect the microphone to the NVR via a pre-amp.
- Check your local laws and regulations on making audio recordings.

## Monitor Connection

Connect to the **HDMI 1 or 2** port.



HDMI 1




HDMI 2

-  Use a certified cable marked with an HDMI logo when using HDMI. The screen may not display or a connection error may occur if you do not use a certified HDMI cable.
- It is recommended that you use the following HDMI cable type.
  - High-speed HDMI Cable
  - High-speed HDMI Cable with Ethernet

## Alarm Connection

Connect alarm connectors to these ports.



-  Press down on the button and insert the cable into the opening. Release the button and then pull on the cable slightly to ensure it is held securely in place. To disconnect the cable, press down on the button again and pull the cable out.

- **Alarm In 1 through 4**

This NVR is capable of responding to event signals from external alarm in devices. Connect mechanical or electrical switches to AI 1 through 4 and the G (ground) connector. In order to be recognized by the NVR, the signal from an alarm in device must be less than 0.3V (Normally Open) and maintained for at least 0.5 seconds. The alarm in voltage range is 0V to 5V. For more information on alarm in setup, refer to the [Alarm-In in the operation manual](#).

- **G (Ground)**

Connect alarm in or out's ground cable to the G connector.



All connectors marked "G" are common connectors.

- **NC/NO (Relay Alarm Outputs)**

This NVR is capable of activating/deactivating buzzers, lights, and other external devices. Connect the device to the C (Common) and NC (Normally Closed) or C and NO (Normally Open) connectors. NC/NO is a relay output which sinks 2A@125VAC and 1A@30VDC. For more information on alarm out setup, refer to the [Alarm-Out in the operation manual](#).

- **ARI (Alarm Reset In)**

An external signal to the Alarm Reset In can be used to reset both the Alarm Out signal and the NVR's internal buzzer. Mechanical or electrical switches can be wired to the ARI (Alarm Reset In) and GND (Ground) connectors. The threshold voltage is below 0.3V and should be stable at least 0.5 seconds to be detected. Connect the wires to the ARI and GND connectors.

- **Connector Arrangement**

<b>AI1 through AI4</b>	Alarm In 1 through 4
<b>G</b>	Ground
<b>C</b>	Relay Common
<b>NO/NC</b>	Normally Open and Normally Close Relay Alarm Out (connected to C port)

#### RS-485 Connection

This NVR supports the RS-485 half-duplex serial communication protocol for connecting to external devices such as POS units.

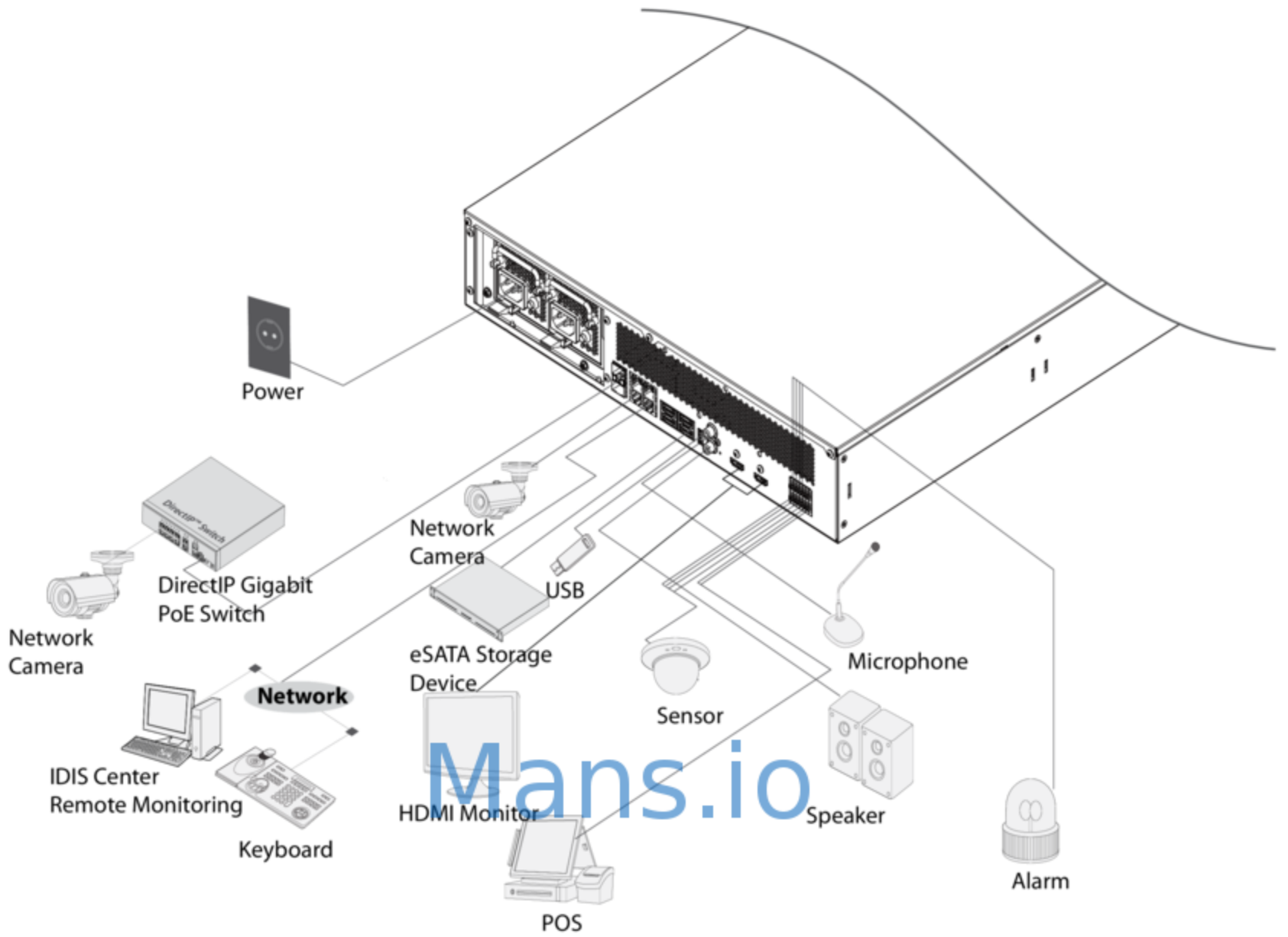


#### RS-232 Connection

Connect an external device such as a POS unit to this port.



Connections on the Rear Panel



## Part 2 - Appendix

### Supported SFP Transceiver Module List

The system's SFP ports support the following types of SFP modules:

Standard	Diameter (um)	Wavelength (nm)	Length	Mode	Connector	SFP Module
1000BASE-SX	50/125	850	550m	Multi	LC	ATOP APSB85123CDL05
	62.5/125	850	500m	Multi	LC	
1000BASE-LX	9/125	1310	20Km	Single	LC	ATOP APSB31123CDL20
1000BASE-LX BiDi	9/125	1310	20Km	Single	LC	ATOP APSB35123CDL20 APSB53123CDL20
		1550				

Mans.io

## System Log Types

Boot Up	Panic On
System Shutdown	Panic Off
Restart	Clear All Data
Upgrade Success	Clear Disk
Upgrade Error	Format Disk
Power Failure	Disk Full
Time Changed	Auto Deletion
Time Zone Change	Search Begin
Time Sync.	Search End
Time Sync. Failed	Clip-Copy Begin
Disk Bad	Clip-Copy End
Login	Clip-Copy Cancel
Logout	Clip-Copy Failure
Setup Begin	Clip Copy User
Setup End	Clip-Copy Begin
Remote Setup Change	Clip-Copy Finished
Remote Setup Failure	Clip Copy Duration of Video
Setup Import	Clip Copy Camera
Setup Import Failure	Callback Failed
Setup Export	Factory Reset
Setup Export Failure	Camera Upgrade Begin
Setup Export Canceled	Camera Upgrade End
Schedule On	Camera Upgrade Failure
Schedule Off	Camera Upgrade User
	Camera Upgrade Camera



## Error Code Types






Upgrade Error Codes			
No.	Type	No.	Type
0	Unknown Error	301	Remote Network Error
1	Incorrect File Version	302	No Remote Upgrade Permission
2	Incorrect OS Version	303	Remote Upgrade File Save Failure
3	Incorrect Software Version	304	Remote Upgrade Cancelled by User
4	Incorrect Kernel Version	400	USB Storage Device Mount Failure
100	Storage Device Mount Failure	401	USB Storage Device File Read Failure
101	File Not Found	402	USB Storage Device File Copy Failure
102	File Decompression Failure	403	USB Device Not Connected
103	LILO Execution Failure	404	USB Storage Device in Use
104	Reboot Failure	405	Unsupported File System
105	Improper File	500	Clip Copy in Progress: Upgrade Not Available
300	Remote Connection Failure		

Clip Copy Error Codes			
No.	Type	No.	Type
0	Unknown Error	12	Disk Error
1	Device Error	13	Clip Player Execution File Not Found
2	Device Connection Failure	14	Clip Player Execution File Access Failure
3	CD Media Not Found	15	Clip Player Execution File Save Failure
4	Incorrect Media	16	Image Generation Failure
5	File Name Taken	17	Burn Failure
6	Insufficient Space	18	Burn Time Overrun
7	Temporary File Generation Failure	19	Device Connection Failure
8	Disk Access Failure	20	Device in Use
9	Disk Format Failure	21	Unsupported File System
10	Database Changed	22	Data Validation Failure
11	Save Failure	23	No Saved Data within Range

# Mans.io

Network Error Codes			
No.	Type	No.	Type
0	Cause of Failure Unknown	20	Connection Cancelled by User
1	Normal Logout	21	No Response from Network Device Host
2	All Channels in Use - Connection Denied	22	High Network Noise Level
3	Incorrect Product Version Info	23	Transmission Queue Full
4	Incorrect User Name or Password	24	Incorrect OEM Info
5	Forced Disconnection by Admin	25	No Search Permission
6	Timeout	26	Port in Use
7	Network Device Terminated	27	SSL Connection Failure
8	Unable to Connect: No Available Port	28	Network Timeout
9	Server Not in Operation: Unable to Connect	29	Network Device Host Timeout
11	Network Unavailable	30	RTP via TCP Not Supported by Network Device Host
12	Different Network Zone: Unable to Access	31	Socket Error
13	Connection Timeout	100	Unknown CODEC
14	Forced Disconnection by Network Device	101	.jpeg CODEC (not supported)
15	Network Device Host Terminated	103	.mpeg4 CODEC (not supported)
16	Unable to Route to Network Device Host	400	Unsupported Resolution
17	Connection Severed	-1	Normal Access

## Troubleshooting

Problem	Solution
The main unit won't turn on.	<ul style="list-style-type: none"> <li>• Check the power cable connection status.</li> <li>• Check the power outlet.</li> </ul>
Unable to display Live video.	<ul style="list-style-type: none"> <li>• Check the camera's video cable connection status.</li> <li>• Check the monitor's video cable connection status.</li> <li>• Check the camera's power setting.</li> <li>• Check the camera lens settings.</li> </ul>
NVR stopped working in the middle of a recording.	<ul style="list-style-type: none"> <li>• Hard disk may be full. Delete video recordings to free up space.</li> <li>• Set the NVR to Recycle mode. For more information, refer to the <b><u>General in the operation manual</u></b>.</li> </ul>
 icon is shown, but video is not being recorded.	If the Pre-Event is enabled, the  and  icons appears when recording is not in progress, or the  and  icons appear when an event occurs and recording is in progress. For more information, refer to the <b><u>Schedule in the operation manual</u></b> .

Mans.io

## Specifications

These product specifications may change without prior notice.

VIDEO	
<b>Video Inputs</b>	64 IP channels
<b>Video Outputs</b>	2 HDMI
<b>Display Resolution</b>	3840x2160, 1920 x 1200 , 1920 x 1080, 1680 x 1050, 1600 x 1200
<b>Display Speed</b>	Up to 1080ips

\* If more than 16 cameras from video encoders are registered on the NVR, video may not be displayed smoothly in a remote program.

\* Recording speed may be slowed down during the RAID rebuild process.

RECORDING	
<b>Max. Throughput</b>	400Mbps, 1920ips @ UHD
<b>Compression</b>	H.265, H.264
<b>Recording Mode</b>	Time-Lapse, Event, Pre-Event, Panic

PLAYBACK	
<b>Performance</b>	64ch Full HD synchronous playback
<b>Search Mode</b>	Time-lapse, Event log, Thumbnail, Motion, Text-in

STORAGE	
<b>HDD</b>	SATA x 8, eSATA x4, RAID 1, 5, 10 supported
<b>Total Capacity</b>	288TB=12TB x 8(Internal) + 12TB x 4x4(External)
<b>Data Export Device</b>	USB HDD, USB Stick

NETWORK	
<b>Client Connection</b>	Gigabit Ethernet(Client) x1
<b>Video in Connection</b>	Gigabit Ethernet(Video In) x3, SFP(Video In ) x 2
<b>Transmission Speed</b>	50Mbps / 100Mbps(BRP Mode)
<b>Event Notification</b>	Email (attach clip (.cbf) .MP4), Callback to Remote S/W, Push notification (IDIS Mobile), FTP, HTTP

INTERFACE	
Audio In / Out	NVR : 1 RCA / 1 RCA + 2 HDMI
NVR Alarm Spec- In	4 TTL, NC/NO programmable, 2.4V (NC) or 0.3V (NO) threshold, 5V DC
NVR Alarm Spec- Out	1 relay output, NC/NO, 2A@125V AC, 1A@30V DC
NVR Alarm Spec - Reset IN	1 TTL, terminal block
Internal Buzzer	Yes
Serial Interface	RS232 (Terminal Block), RS485 (Terminal Block)
USB	USB 2.0 x 2, USB 3.0 x 1

GENERAL	
Operating System	Embedded Linux
Unit Dimensions (W x H x D)	482.6mm x 88mm x 523.3mm (19"x3.5"x20.6")
Unit Weight	11.16kg (24.60lb) (with 2 HDDs) DR-8564 12.24kg (26.98lb) (with 2 HDDs) DR-8564D
Working Temperature	0°C to 40°C
Operating Humidity	0% ~ 90%
Power Input	100-240V~, 50/60Hz, 6-3A DR-8564 100-240V~, 50/60Hz, 8-4A x2 DR-8564D
Power Consumption	100-240V~, 50/60Hz, 6-3A, 145W DR-8564 100-240V~, 50/60Hz, 8-4A, 145W x2 DR-8564D
Approvals	FCC, UL, CE, CB, PSE

\* The power consumption of the dual power model "DR-8564D" is based on the maximum power consumption of one module.

- Some hard disks may not function properly when mounted on to this product. Refer to the compatibility chart below before mounting any additional hard disk on to the product. Hard disk compatibility chart is subject to change without notice. Contact your retailer for the latest compatibility chart.

Storage	Manufacturer	Model	S.M.A.R.T Operating Temperature
4TB	TOSHIBA	MG08ADA400E	10°C~60°C
12TB	TOSHIBA	MG07ACA12TE	10°C~60°C

※ The normal operating temperature of hard drives is based on S.M.A.R.T standards.

#### How to Open The Front Door

- 1 Insert the enclosed door-lock key and turn clockwise.
- 2 Press the door open button on the left side.
- 3 Front panel will be detached and you can replace the HDD.

#### DOOR OPEN

